

- C201 Outer
- C205 Internal Vent
- C212 Vent bead
- C210 Fix bead
- C204 Transome

Screw fix corner cleat

- CC307 9.7mm cleat M4 offset (Outer)
- CC302 7.4mm cleat M4 (Outer)
- CC308 11mm cleat M4 offset (Vent)
- CC309 15.4mm cleat M4 (Vent)
- 694 M4x10 Socket head
- 697 M4x6 CSK

Crimping corner cleat

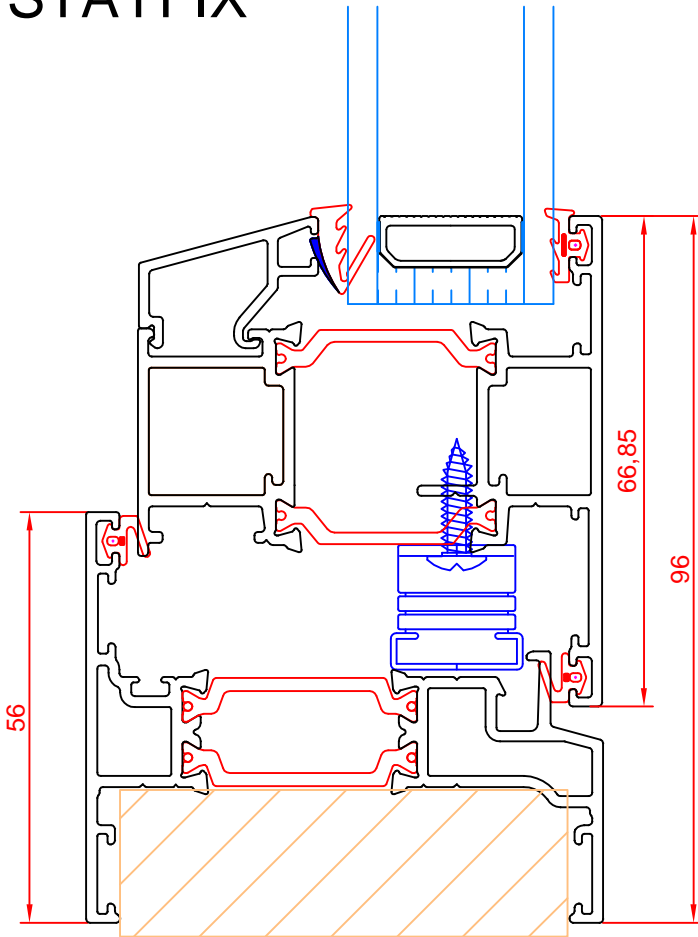
- CC207 9.7mm cleat(Outer)
- CC202 7.4mm cleat(Outer)
- CC208 11.4mm cleat (Vent)
- CC209 15.4mm cleat (Vent)

TP3 T plate (Transome)

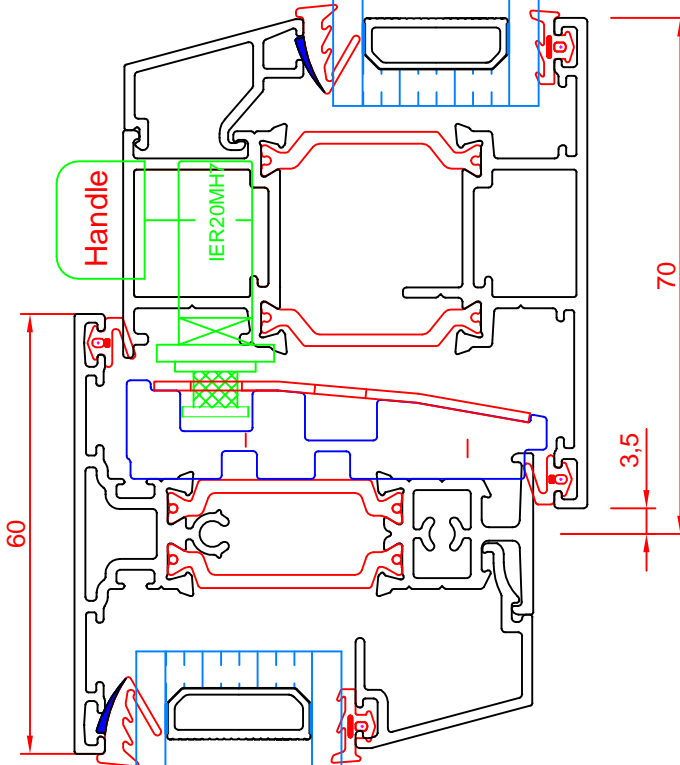
- PG008 Flipper
- E020 Bead gasket
- WG034 Wedge gasket
- FO17 20x62 foam

IER 400 to 1000 spag rod

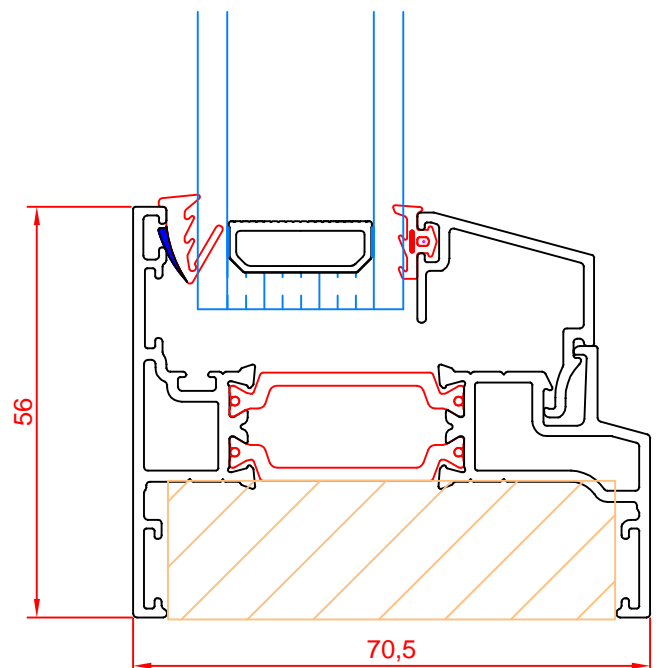
- LK20 Keep
- 17mm stack height hinge



C201 Outer - C205 Vent - C212 Bead



C204 Transome - C205 Vent - C212 Bead - C210 Fix bead



C201 Outer - C210 Bead