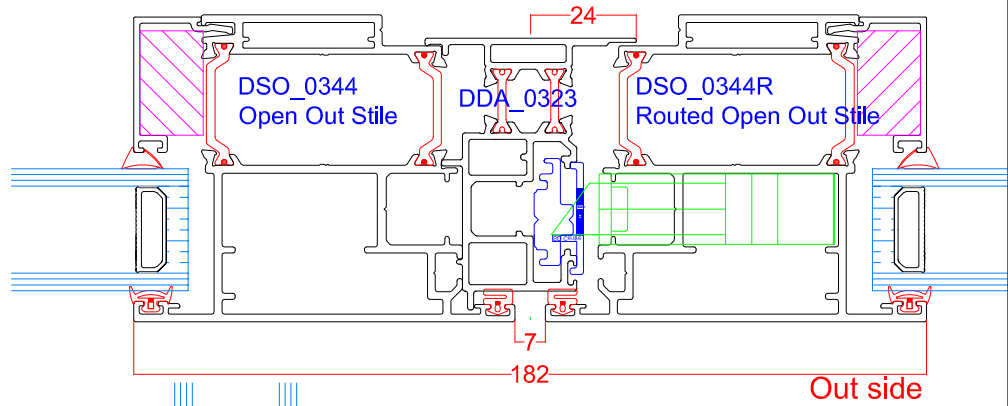
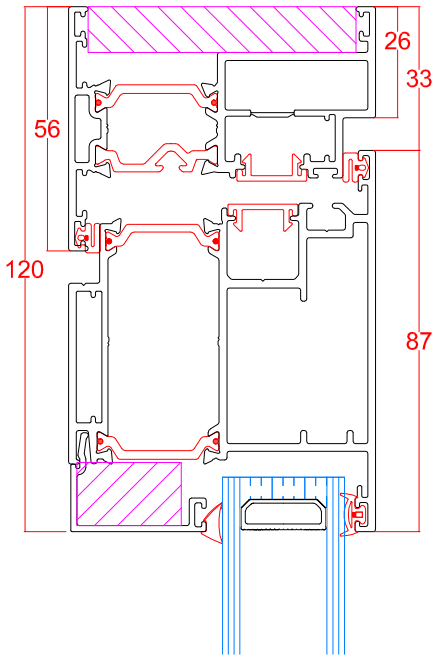
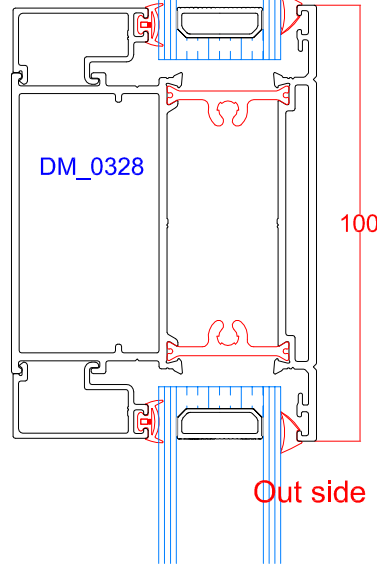


Open Out, Glazed In

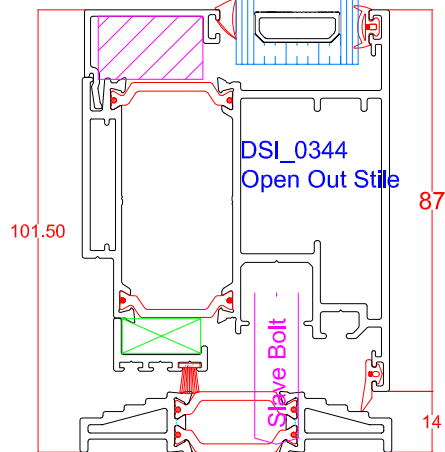


In side

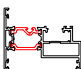
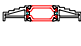
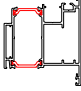
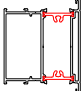
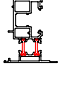




Out side



Out side



PWT Double Ramp

-  DO_0345 Outer Height = -0 , Width = -8
-  PWT Double ramp threshold width = -0
-  DSO_0344 Stile width = - 67
Stile Height = -47
DD Rail = width / 2 - 37
-  DM_0328 Mid Rail = Top Rail - 144
-  DDA_0323 DD Adaptor = Door stile - 17
(Cut Top @ 4 Deg)
-  DB_01 Door Bead (Open In 203304)
-  DB_02 Bevel Bead (Open Out)
-  WPC Wool pile Carrier
-  PWT001 - Double Ramp WT Packer

Glass width = -217
 Full Glass Height = -199
 Top Glass = Height - midrail from bottom -147
 Bottom Glass = Mid rail from bottom - 128
 DD Glass Width = Width / 2 - 188